

**KBT****617~960/1695~2700/3300~4200/4800~6000MHz 90°/65°/50°/40°  
9/10/10.5/10.5dBi Logarithmic Periodic Directional Antenna****TDJ-0660DSKL-M****Application**

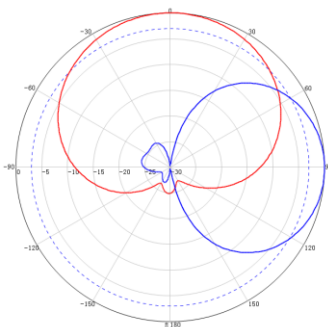
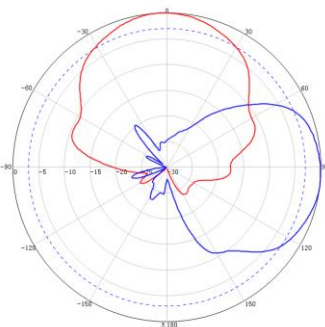
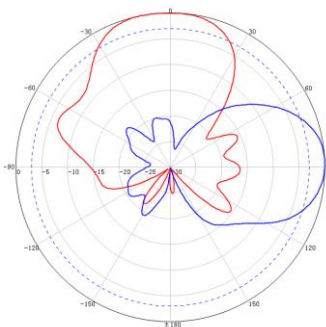
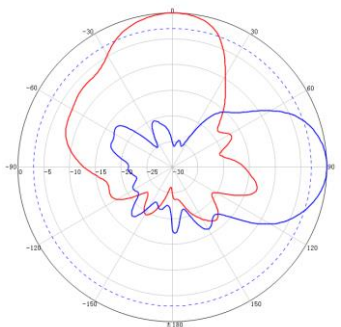
Used in 2G/3G/4G/5G/WLAN system

**Electrical specifications**

Frequency range (MHz)	617~960	1695~2700	3300~4200	4800~6000
Polarization	Vertical			
Peak Gain (dBi)	9	10	10.5	10.5
Horizontal beam width (°)	90±15	65±15	50±15	35±15
Vertical beam width (°)	60	55	40	35
Front-to-back ratio (dB,avg.)	15	20	18	15
Impedance (Ω)	50			
VSWR	≤2.0			
Intermodulation IM3 (2×43dBm carrier)	-153dBc	-153dBc	-153dBc	/
Maximum power (W)	50			

**Mechanical specifications**

Connector	N Female or 4.3-10 Female
Exposed cable size (cm)	30
Connector position	Bottom
Antenna size (mm)	512*210*64
Packing size (mm)	588*225*90
Weight (kg)	≤1.1 (Include bracket)
Radome material	ABS
Radome color	White
Operating temperature (°C)	-40~60
Application	Outdoor
Mechanical tilt (°)	0~60
Rated wind velocity (m/s)	55
Suitable pole diameter (mm)	Φ25-Φ50
Mounting kit	JM-TA

**617~960MHz****Typical pattern:****1695~2700MHz****Typical pattern:****3300~4200MHz****Typical pattern:****4800~6000MHz****Typical pattern:**

Add: No.30 Dongyang 3rd Road, Danzao Town, Nanhai District, Foshan City, Guangdong, China 528216

Tel: +86-757-88022860

Email: kbt@kenbotong.com

Web: <http://www.kenbotong.com>

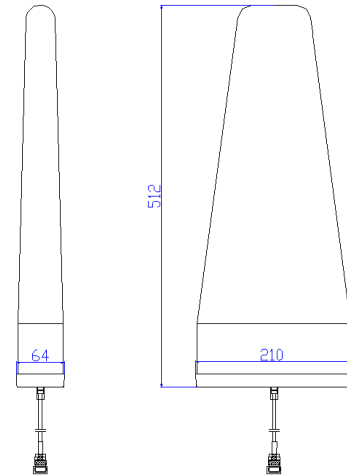


**KBT** 617~960/1695~2700/3300~4200/4800~6000MHz 90°/65°/50°/40°  
9/10/10.5/10.5dBi Logarithmic Periodic Directional Antenna

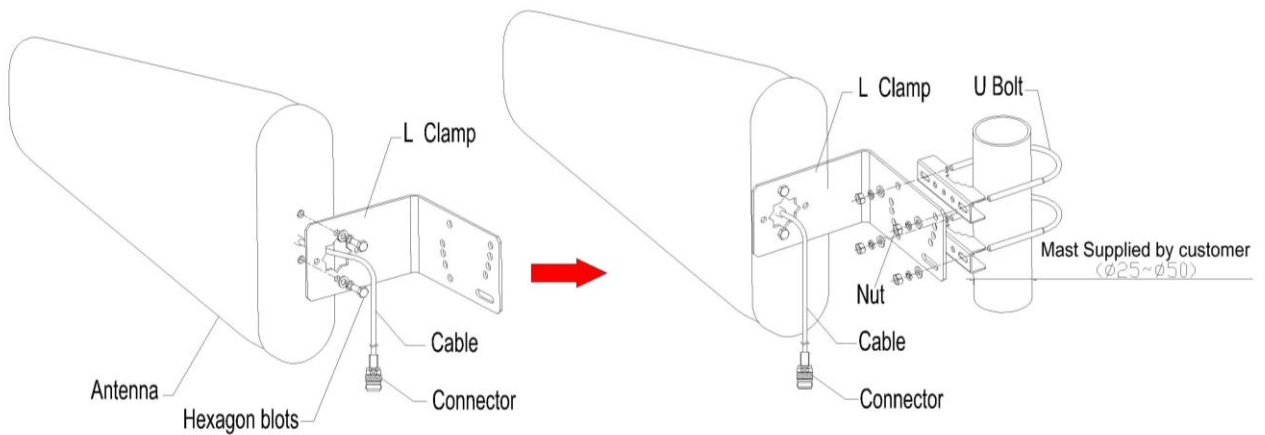
Product pictures



Product size



## Installation Sketch



Note: Insure that the antenna is installing with the drip hole at the bottom (be mounted the bottom down to avoid water penetrate into the antenna).